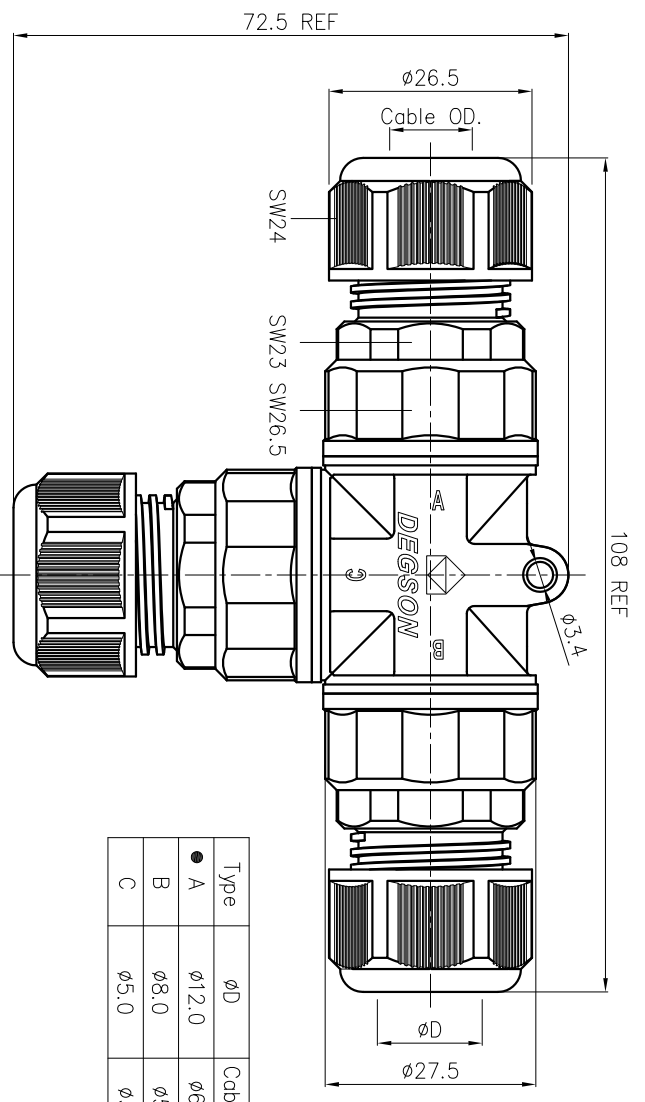
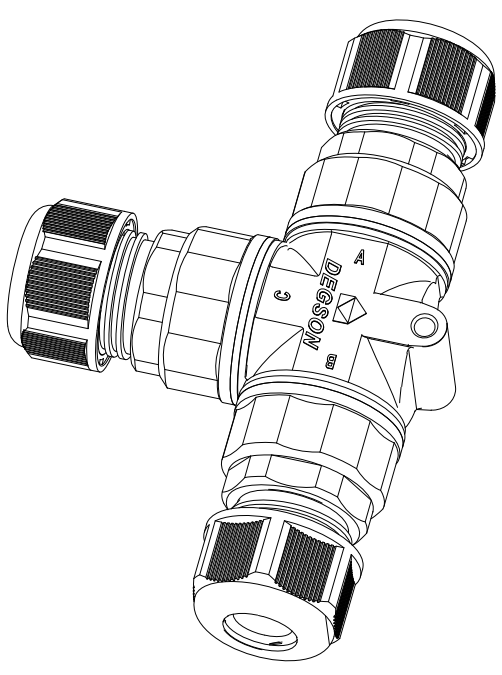


REVISION RECORD			
REV	ECN	DESCRIPTION	DFT DATE



Type	∅D	Cable OD
● A	∅12.0	∅6.5~12
B	∅8.0	∅5.5~8
C	∅5.0	∅3~5



YX-C-3 T-M25-6-12

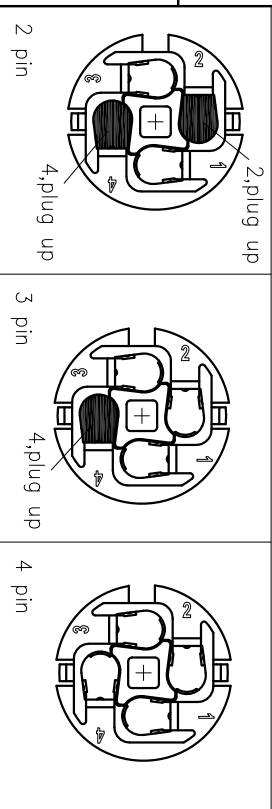
Conductors NO.
Pin: 2,3,4

6-12: Cable OD: ∅6.5~∅12
5-8: Cable OD: ∅5.5~∅8
3-5: Cable OD: ∅3~∅5

Technique parameter-3 PIN	
Rated voltage	450V
Rated current	16A
Insulation resistance	≥100MΩ
Withstanding voltage	800V AC
Operating temperature	-40°C~+85°C
Levels of protection	IP68
Cable OD.	∅6.5~∅12

NOTES:

1. Plastic shell material: PA66
2. Carrier material: Cu, Plating: Ni
3. Mode of connection: Screw,
4. Scope of wiring: 0.75~1.5mm²,
5. RoHS Compliance



1	brown	棕色
2	white	白色
3	blue	蓝色
4	black	黑色
NO.	Color	颜色

DETACHED LISTS

PART NO.: YX-C-3T-M25-6-12	NAME: M25-3芯T型防水连接器
APPD: YX-C Series	NINGBO DEGSON ELECTRICAL CO., LTD 宁波高松电子有限公司
CHKD:	ASSEMBLY DRAWING
DFT: WYM 2019/04/26	REV DO-1
THIRD ANGLE PROJECTION	SHEET 1/1
DRAWING NO.: XX	SCALE 1:1
DO NOT SCALE DRAWING	